

# DJ61F-40P

## Cryogenic Globe Valve Long Stem

### Parameters

PN: 4.0MPa

DN: Ø65~Ø100

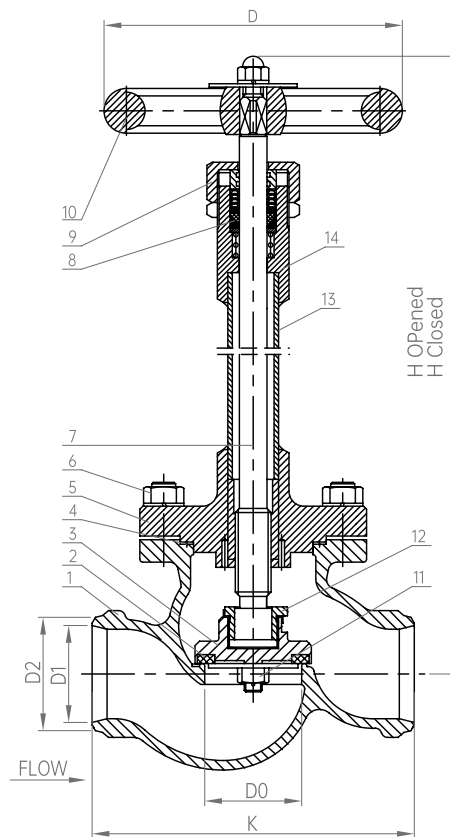
Design Temp.: -196°C ~+80°C

Media: LNG, LO<sub>2</sub>, LN<sub>2</sub>, LAr, CO<sub>2</sub>

Connection : Butt Weld



This kind of product has certified by CE, EAC, TS and CCS  
Standards: GB/T 24925, EN1626:2008, TR CU 032/2013



### Materials

1	Body	CF8	6	Hexagon Screw	S30408	11	Hexagon Nut	S30408
2	Disc Sealing	PCTFE	7	Stem	S30408	12	Connecting Nut	S30408
3	Disc	S30408	8	V ring	PTFE	13	Connecting Pipe	S30408
4	Gasket	RPTFE	9	Gland Nut	S30408	14	Gland Packings	S30408
5	Bonnet	S30408	10	Hand Wheel	HT200			

Model No.	Specifications & Dimensions (mm)							Weight(kg)
	H Opened	H Closed	L	D	D0	D1	D2	
DJ-65A1	520	495	216	Ø200	Ø65	Ø70	Ø76	15.4
DJ-80A1	549	522	241	Ø250	Ø80	Ø81	Ø89	22.8
DJ-100A1	634	601	292	Ø315	Ø100	Ø100	Ø108	31.8
DJ-100C1	634	601	275	Ø315	Ø100	Ø106.3	Ø114.3	31.8