

DJ61F-40P

Cryogenic Globe Valve Short Stem

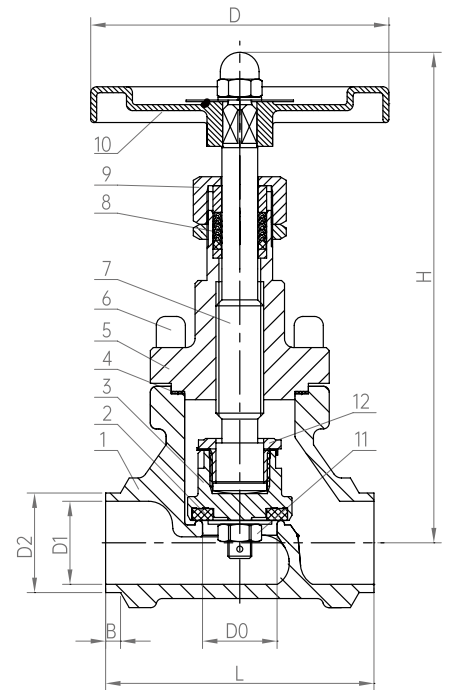
Parameters

PN: 4.0MPa
DN: Ø10~Ø50
Design Temp.: -40°C ~+80°C
Media: NG. O₂. N₂. Ar. CO₂

Connection : Butt Weld



This kind of product has certified by CE, EAC, TS and CCS
Standards: GB/T 24925, EN1626:2008, TR CU 032/2013



Materials

1	Body	CF8	6	Hexagon Screw	S30408	11	Hexagon Nut	S30408
2	Disc Sealing	PTFE	7	Stem	S30408	12	Connecting Nut	S30408
3	Disc	S30408	8	V ring	PTFE	13	Connecting Pipe	S30408
4	Gasket	RPTFE	9	Gland Nut	S30408			
5	Bonnet	S30408	10	Hand Wheel	Y102			

Model No.	Specifications & Dimensions (mm)								Weight(kg)
	H Opening	H Closing	L	D	D0	D1	D2	B	
DJ-10GA	120	114	60	Ø65	Ø13	Ø13	Ø17	4	0.8
DJ-15GA	146	137	65	Ø80	Ø15	Ø17.08	Ø21.3	5	1.0
DJ-20GA	150	139	80	Ø80	Ø20	Ø22.48	Ø26.7	5	1.4
DJ-25GA	173	159.5	90	Ø100	Ø25	Ø27.9	Ø33.4	5	1.8
DJ-32GA	183	168.5	105	Ø100	Ø32	Ø36	Ø42.2	5	2.5
DJ-40GA	222.5	205	120	Ø125	Ø40	Ø43	Ø48.3	5	3.6
DJ-50GA	231.5	210.5	140	Ø140	Ø50	Ø55	Ø60.3	5	5.0
DJ-15GK	146	137	65	Ø80	Ø15	Ø14	Ø18	5	1.0
DJ-20GK	150	139	80	Ø80	Ø20	Ø20	Ø25	5	1.4
DJ-25GK	173	159.5	90	Ø100	Ø25	Ø27	Ø32	5	1.9
DJ-32GK	183	168.5	105	Ø100	Ø32	Ø32	Ø38	5	2.5
DJ-40GK	222.5	205	120	Ø125	Ø40	Ø39	Ø45	5	3.4
DJ-50GK	231.5	210.5	140	Ø140	Ø50	Ø51	Ø57	5	5.0