

DJ61F-63P

Cryogenic Globe Valve Long Stem

Parameters

PN: 6.3MPa

DN: Ø10~Ø50

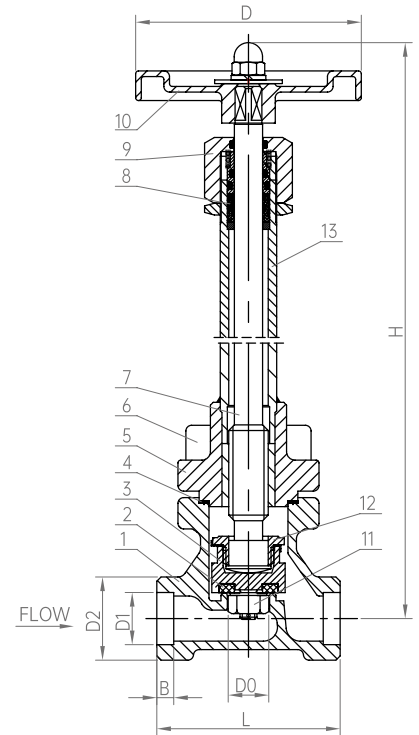
Design Temp.: -196°C ~+80°C

Media: LNG, LO₂, LN₂, LAr, CO₂

Connection : Socket Weld



This kind of product has certified by CE, EAC, TS and CCS
Standards: GB/T 24925, EN1626:2008, TR CU 032/2013



Materials

1	Body	CF8	6	Hexagon Screw	S30408	11	Hexagon Nut	S30408
2	Disc Sealing	PCTFE	7	Stem	S30408	12	Connecting Nut	S30408
3	Disc	S30408	8	V ring	PTFE	13	Connecting Pipe	S30408
4	Gasket	RPTFE	9	Gland Nut	S30408			
5	Bonnet	S30408	10	Hand Wheel	Y102			

Model No.	Specifications & Dimensions (mm)								Weight(kg)
	H Opening	H Closing	L	D	D0	D1	D2	B	
DJ-10L	210	204	60	Ø65	Ø13	Ø14.5	Ø24	6	1.0
DJ-15L	253	244	65	Ø80	Ø15	Ø18.5	Ø29.5	6	1.2
DJ-20L	257	246	80	Ø80	Ø20	Ø25.5	Ø36	8	1.5
DJ-25L	288	274.5	90	Ø100	Ø25	Ø32.5	Ø43.5	8	2.1
DJ-32L	298	283.5	105	Ø100	Ø32	Ø38.5	Ø53	8	2.9
DJ-40L	365.5	348	120	Ø125	Ø40	Ø45.5	Ø62	8	3.9
DJ-50L	374.5	353.5	140	Ø140	Ø50	Ø57.5	Ø72	10	5.4
DJ-10YL	210	204	60	Ø65	Ø13	Ø17.8	Ø24	6	1.0
DJ-15YL	253	244	65	Ø80	Ø15	Ø22.2	Ø29.5	6	1.2
DJ-20YL	257	246	80	Ø80	Ø20	Ø27.7	Ø36	8	1.5
DJ-25YL	288	274.5	90	Ø100	Ø25	Ø34.5	Ø43.5	8	2.1
DJ-32YL	298	283.5	105	Ø100	Ø32	Ø43.2	Ø53	8	2.9
DJ-40YL	365.5	348	120	Ø125	Ø40	Ø49	Ø62	8	3.9
DJ-50YL	374.5	353.5	140	Ø140	Ø50	Ø61.1	Ø72	10	5.4