



DJ61F-40P

Cryogenic Globe Valve with non-return function Long Stem

Parameters

PN: 4.0MPa

DN: Ø10~Ø50

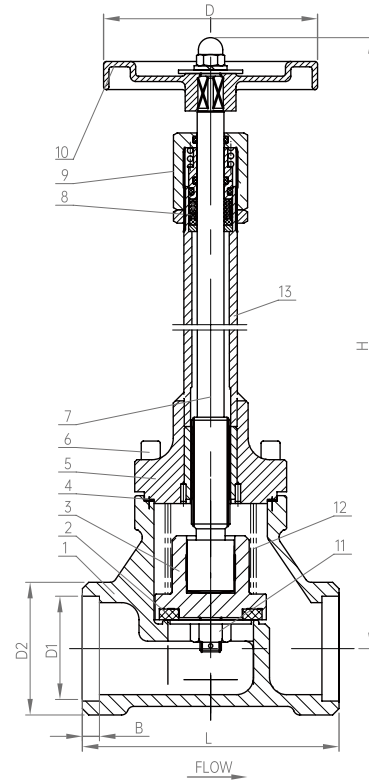
Design Temp.: -196°C ~+80°C

Media: LNG, LO₂, LN₂, LAr, CO₂

Connection : Socket Weld



This kind of product has certified by CE, EAC, TS and CCS
Standards: GB/T 24925, EN1626:2008, TR CU 032/2013



Materials

1	Body	CF8	6	Hexagon Screw	S30408	11	Hexagon Nut	S30408
2	Disc Sealing	PCTFE	7	Stem	S30408	12	Spring	S30210
3	Disc	S30408	8	V ring	PTFE	13	Connecting Pipe	S30408
4	Gasket	RPTFE	9	Gland Nut	S30408			
5	Bonnet	S30408	10	Hand Wheel	Y102			

Model No.	Specifications & Dimensions (mm)								Weight(kg)
	H Opening	H Closing	L	D	D0	D1	D2	B	
DJ-25H	295	282	90	Ø100	Ø25	Ø32.5	Ø43.5	8	2.0
DJ-40H	373.5	356	120	Ø125	Ø40	Ø45.5	Ø62	8	4.0
DJ-50H	384.5	361.5	140	Ø140	Ø50	Ø57.5	Ø72	10	5.6
DJ-25HY	295	282	90	Ø100	Ø25	Ø34.5	Ø43.5	8	2.0
DJ-40HY	373.5	356	120	Ø125	Ø40	Ø49	Ø62	8	4.0
DJ-50HY	384.5	361.5	140	Ø140	Ø50	Ø61.1	Ø72	10	5.6