

DJ61F-40P

Cryogenic Globe Valve Long Stem

Parameters

PN: 4.0MPa

DN: Ø10~Ø50

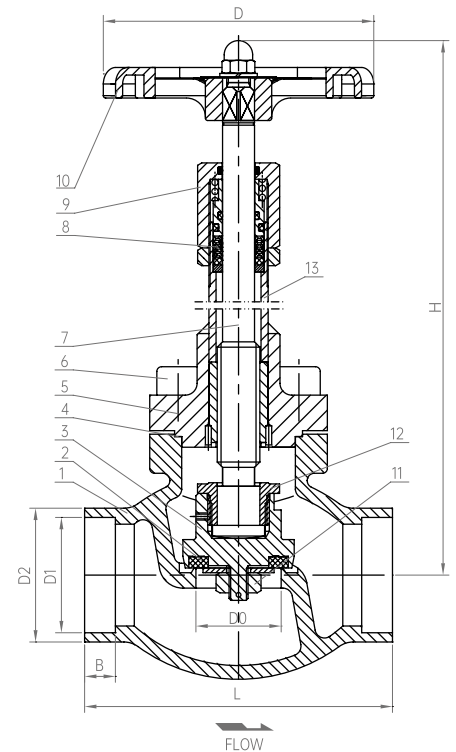
Design Temp.: -196°C ~+80°C

Media: LNG, LO₂, LN₂, LAr, CO₂

Connection : Socket Weld



This kind of product has certified by CE, EAC, TS and CCS
Standards: GB/T 24925, EN1626:2008, TR CU 032/2013



Materials

1	Body	CF8	6	Hexagon Screw	S30408	11	Hexagon Nut	S31608
2	Disc Sealing	PCTFE	7	Stem	S31608	12	Connecting Nut	S30408
3	Disc	S31608	8	V ring	PTFE	13	Connecting Pipe	S31608
4	Gasket	RPTFE	9	Gland Nut	S31608			
5	Bonnet	S31608	10	Hand Wheel	Y102			

Model No.	Specifications & Dimensions (mm)								Weight(kg)
	H Opening	H Closing	L	D	D0	D1	D2	B	
DJ-10.005	275.5	266	70	Ø80	Ø12	Ø14.5	Ø24	6	
DJ-15.005	275.5	266	85	Ø80	Ø15	Ø18.5	Ø30	10	
DJ-20.005	280	270	100	Ø125	Ø20	Ø25.5	Ø35.5	13	
DJ-25.005	281.5	270	115	Ø125	Ø25	Ø32.5	Ø42	13	
DJ-40.005	277	260	130	Ø125	Ø36	Ø45.5	Ø56.5	13	
DJ-50.005	278	266	155	Ø125	Ø45	Ø57.5	Ø70	16	
DJ-10Y.005	275.5	266	70	Ø80	Ø12	Ø17.8	Ø24	6	
DJ-15Y.005	275.5	266	85	Ø80	Ø15	Ø22.2	Ø30	10	
DJ-20Y.005	280	270	100	Ø125	Ø20	Ø27.7	Ø35.5	13	
DJ-25Y.005	281.5	270	115	Ø125	Ø25	Ø34.5	Ø42	13	
DJ-40Y.005	277	260	130	Ø125	Ø36	Ø49	Ø56.5	13	
DJ-50Y.005	278	266	155	Ø125	Ø45	Ø61.1	Ø70	16	