



DJ61F-63P

Cryogenic Globe Valve Long Stem

Parameters

PN: 6.3MPa

DN: Ø10~Ø50

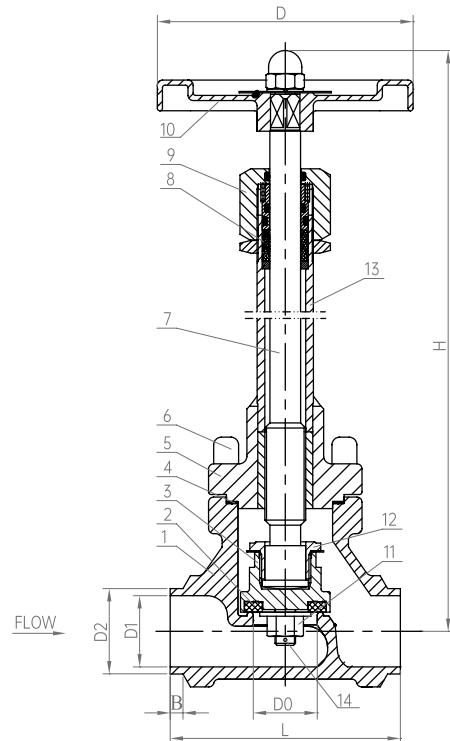
Design Temp.: -196°C ~+80°C

Media: LNG, LO₂, LN₂, LAr, CO₂

Connection : Butt Weld



This kind of product has certified by CE, EAC, TS and CCS
Standards: GB/T 24925, EN1626:2008, TR CU 032/2013



Materials

1 Body	CF8	6 Hexagon Screw	S30408	11 Hexagon Nut	S30408
2 Disc Sealing	PCTFE	7 Stem	S30408	12 Connecting Nut	S30408
3 Disc	S30408	8 V ring	PTFE	13 Connecting Pipe	S30408
4 Gasket	RPTFE	9 Gland Nut	S30408		
5 Bonnet	S30408	10 Hand Wheel	Y102		

Model No.	Specifications & Dimensions (mm)								Weight(kg)
	H Opening	H Closing	L	D	D0	D1	D2	B	
DJ-10AL	221	215	60	Ø65	Ø13	Ø13	Ø17	4	
DJ-15AL	257	248	65	Ø80	Ø15	Ø17.08	Ø21.3	5	
DJ-20AL	263	254	80	Ø80	Ø20	Ø22.48	Ø26.7	5	
DJ-25AL	295	282	90	Ø100	Ø25	Ø27.9	Ø33.4	5	
DJ-32AL	305.5	291	105	Ø100	Ø32	Ø36	Ø42.2	5	
DJ-40AL	373.5	356	120	Ø125	Ø40	Ø43	Ø48.3	5	
DJ-50AL	384.5	361.5	140	Ø140	Ø50	Ø55	Ø60.3	5	
DJ-15KL	257	248	65	Ø80	Ø15	Ø14	Ø18	5	
DJ-20KL	263	254	80	Ø80	Ø20	Ø20	Ø25	5	
DJ-25KL	295	282	90	Ø100	Ø25	Ø27	Ø32	5	
DJ-32KL	305.5	291	105	Ø100	Ø32	Ø32	Ø38	5	
DJ-40KL	373.5	356	120	Ø125	Ø40	Ø39	Ø45	5	
DJ-50KL	384.5	361.5	140	Ø140	Ø50	Ø51	Ø57	5	