

DJ61F-40P

Cryogenic Globe Valve Long Stem

Parameters

PN: 4.0MPa

DN: Ø10~Ø50

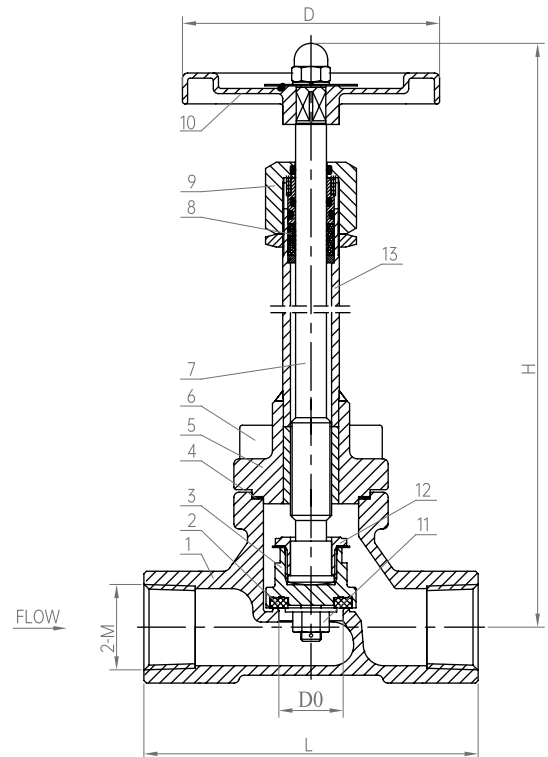
Design Temp.: -196°C ~+80°C

Media: LNG, LO₂, LN₂, LAr, CO₂

Connection : Thread Connection



This kind of product has certified by CE, EAC, TS and CCS
Standards: GB/T 24925, EN1626:2008, TR CU 032/2013



Materials

1	Body	CF8	6	Hexagon Screw	S30408	11	Hexagon Nut	S30408
2	Disc Sealing	PCTFE	7	Stem	S30408	12	Connecting Nut	S30408
3	Disc	S30408	8	V ring	PTFE	13	Connecting Pipe	S30408
4	Gasket	RPTFE	9	Gland Nut	S30408			
5	Bonnet	S30408	10	Hand Wheel	Y102			

Model No.	Specifications & Dimensions (mm)						Weight(kg)
	H Opening	H Closing	L	D	D0	M	
DJ-10(NPT)	221	215	60	Ø65	Ø13	NPT 3/8	
DJ-15(NPT)	257	248	97	Ø65	Ø15	NPT 1/2	1.4
DJ-20(NPT)	263	254	112	Ø80	Ø20	NPT 3/4	
DJ-25(NPT)	295	282	130	Ø90	Ø25	NPT 1	2.4
DJ-40(NPT)	373.5	356	176	Ø125	Ø40	NPT 1 1/2	4.7