

DJ61F-40P

Cryogenic Globe Valve Short Stem

Parameters

PN: 4.0MPa

DN: Ø10~Ø50

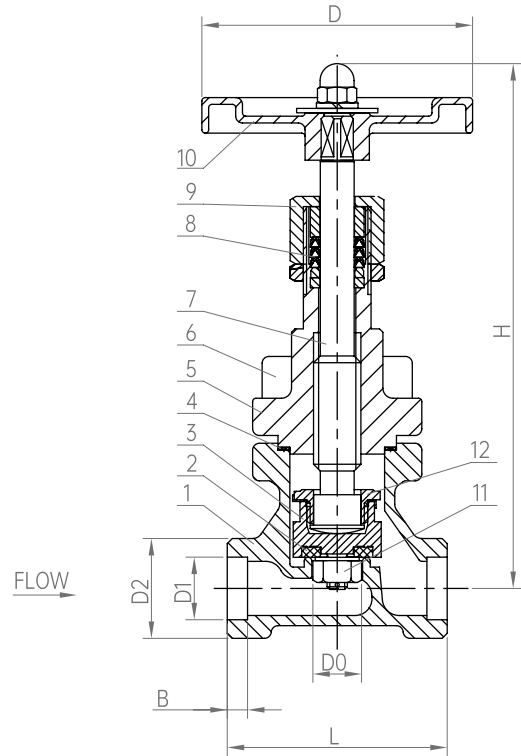
Design Temp.: -40°C ~+80°C

Media: NG, O₂, N₂, Ar, CO₂

Connection : Socket Weld



This kind of product has certified by CE, EAC, TS and CCS
Standards: GB/T 24925, EN1626:2008, TR CU 032/2013



Materials

1 Body	CF8	6 Hexagon Screw	S30408	11 Hexagon Nut	S30408
2 Disc Sealing	PTFE	7 Stem	S30408	12 Connecting Nut	S30408
3 Disc	S30408	8 V ring	PTFE	13 Connecting Pipe	S30408
4 Gasket	RPTFE	9 Gland Nut	S30408		
5 Bonnet	S30408	10 Hand Wheel	Y102		

Model No.	Specifications & Dimensions (mm)								Weight(kg)
	H Opening	H Closing	L	D	D0	D1	D2	B	
DJ-10G	120	114	60	Ø65	Ø13	Ø14.5	Ø24	6	0.8
DJ-15G	146	137	65	Ø80	Ø15	Ø18.5	Ø29.5	6	1.0
DJ-20G	150	139	80	Ø80	Ø20	Ø25.5	Ø36	8	1.4
DJ-25G	173	159.5	90	Ø100	Ø25	Ø32.5	Ø43.5	8	1.8
DJ-32G	183	168.5	105	Ø100	Ø32	Ø38.5	Ø53	8	2.5
DJ-40G	222.5	205	120	Ø125	Ø40	Ø45.5	Ø62	8	3.6
DJ-50G	231.5	210.5	140	Ø140	Ø50	Ø57.5	Ø72	10	5.0
DJ-10GY	120	114	60	Ø65	Ø13	Ø17.8	Ø24	6	0.8
DJ-15GY	146	137	65	Ø80	Ø15	Ø22.2	Ø29.5	6	1.0
DJ-20GY	150	139	80	Ø80	Ø20	Ø27.7	Ø36	8	1.4
DJ-25GY	173	159.5	90	Ø100	Ø25	Ø34.5	Ø43.5	8	1.9
DJ-32GY	183	168.5	105	Ø100	Ø32	Ø43.2	Ø53	8	2.5
DJ-40GY	222.5	205	120	Ø125	Ø40	Ø49	Ø62	8	3.4
DJ-50GY	231.5	210.5	140	Ø140	Ø50	Ø61.1	Ø72	10	5.0