



# DJ61F-40P

## Cryogenic Globe Valve Long Stem

### Parameters

PN: 4.0MPa

DN: Ø10~Ø50

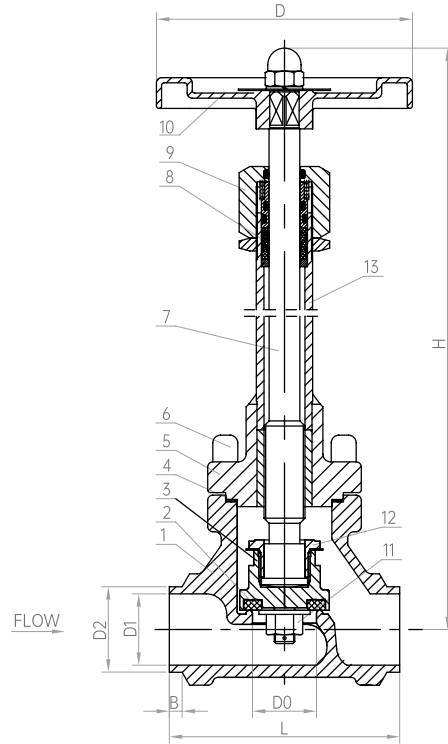
Design Temp.: -196°C ~+80°C

Media: LNG. LO<sub>2</sub>. LN<sub>2</sub>. LAr. CO<sub>2</sub>

Connection : Butt Weld



This kind of product has certified by CE, EAC, TS and CCS  
Standards: GB/T 24925, EN1626:2008, TR CU 032/2013



### Materials

1	Body	CF8	6	Hexagon Screw	S30408	11	Hexagon Nut	S30408
2	Disc Sealing	PCTFE	7	Stem	S30408	12	Connecting Nut	S30408
3	Disc	S30408	8	V ring	PTFE	13	Connecting Pipe	S30408
4	Gasket	RPTFE	9	Gland Nut	S30408			
5	Bonnet	S30408	10	Hand Wheel	Y102			

Model No.	Specifications & Dimensions (mm)								Weight(kg)
	H Opening	H Closing	L	D	D0	D1	D2	B	
DJ-10A	221	215	60	Ø65	Ø13	Ø13	Ø17	4	1.0
DJ-15A	257	248	65	Ø80	Ø15	Ø17.08	Ø21.3	5	1.2
DJ-20A	263	254	80	Ø80	Ø20	Ø22.48	Ø26.7	5	1.4
DJ-25A	295	282	90	Ø100	Ø25	Ø27.9	Ø33.4	5	2.1
DJ-32A	305.5	291	105	Ø100	Ø32	Ø36	Ø42.2	5	2.9
DJ-40A	373.5	356	120	Ø125	Ø40	Ø43	Ø48.3	5	3.9
DJ-50A	384.5	361.5	140	Ø140	Ø50	Ø55	Ø60.3	5	5.4
DJ-15K	257	248	65	Ø80	Ø15	Ø14	Ø18	5	1.2
DJ-20K	263	254	80	Ø80	Ø20	Ø20	Ø25	5	1.5
DJ-25K	295	282	90	Ø100	Ø25	Ø27	Ø32	5	2.1
DJ-32K	305.5	291	105	Ø100	Ø32	Ø32	Ø38	5	2.9
DJ-40K	373.5	356	120	Ø125	Ø40	Ø39	Ø45	5	3.9
DJ-50K	384.5	361.5	140	Ø140	Ø50	Ø51	Ø57	5	5.4